

# Industrial Valves - Ball Valves Series GE2014/N

## Genebre™ Stainless Steel 2pc Lever Op Ball Valve



### Main Features :-

Stainless Steel 316

Full bore

ISO 7-1 Threaded Ends / NPT (2014N)

Ball Seats RPTFE

Viton seals

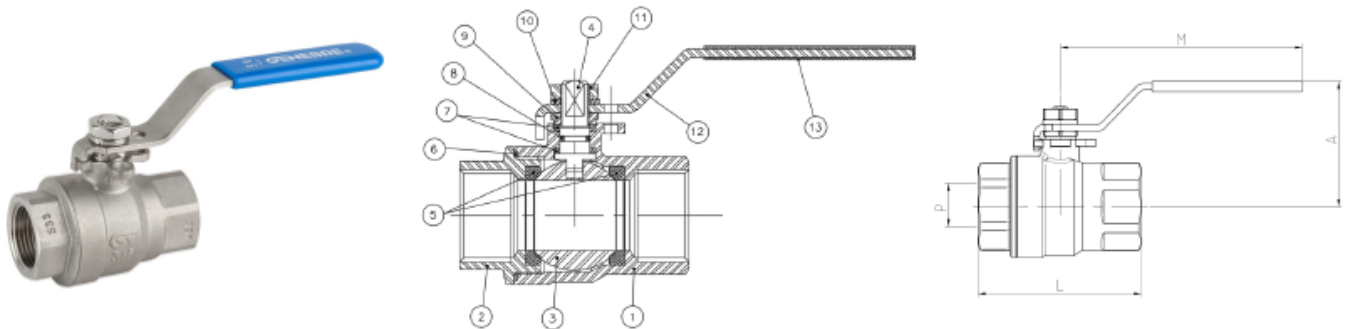
63 Bar Rated

-25C to + 180C Temperature Rating



TYPE: INDUSTRIAL VALVES

### Dimensional Drawing:-



Nº	Denominación / Name	Material	Acabado Superficial / Surface Treatment
1	Cuerpo / Body	Acero Inox. / Stainless Steel 1.4408	Granallado / Shot blasting
2	Tapa / Cap	Acero Inox. / Stainless Steel 1.4408	Granallado / Shot blasting
3	Bola / Ball	Acero Inox. / Stainless Steel 1.4408	Pulido / Polishing
4	Eje / Stem	Acero Inox. / Stainless Steel AISI 316	-----
5	Asiento / Ball Seat	PTFE + 15% FV / GF	-----
6	Junta / Gasket	PTFE	-----
7	Arandela / Thrust Washer	PTFE	-----
8	Tórica / O'ring	FKM	-----
9	Anillo Prensa / Stem packing	Acero Inox. / Stainless Steel AISI 304	-----
10	Arandela / Washer	Acero Inox. / Stainless Steel AISI 304	-----
11	Tuerca / Nut	Acero Inox. / Stainless Steel AISI 304	-----
12	Maneta / Handle	Acero Inox. / Stainless Steel AISI 304	-----
13	Funda / Handle Sleeve	Vinilo / Vynil	-----

ISO 9001:2015 Accredited Company

Tel: +44(0)1386 552369

Fax: +44(0)1386 554227

sales@allvalves.co.uk

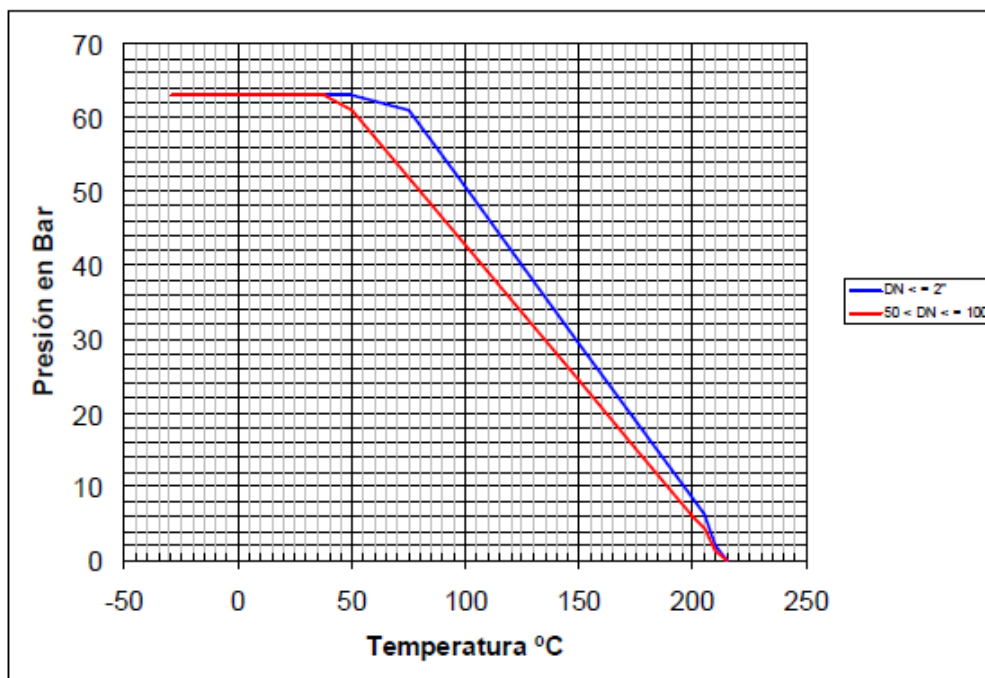
www.allvalves.co.uk

Allvalves Online Ltd, Automation House, Unit 2, Pershore, WR10 2DF UK

### DIMENSIONES GENERALES / GENERAL DIMENSIONS

Ref	Medida / Size	PN	Dimensiones / Dimensions (mm)				Peso / Weight (Kg)
			P	A	L	M	
2014 02	1/4"	63	11	50	50	104	0,207
2014 03	3/8"	63	12.7	50	50	104	0,195
2014 04	1/2"	63	15	51.5	55	104	0,237
2014 05	3/4"	63	20.6	62	70	122	0,442
2014 06	1"	63	25.4	65	83	122	0,606
2014 07	1 ¼"	63	31.8	82	91	180	1,084
2014 08	1 ½"	63	38.1	88	103	180	1,544
2014 09	2"	63	50.8	106	120	219	2,648
2014 10	2 ½"	63	65	119	152	230	4,707
2014 11	3"	63	80	135	172	275	7,288

### CURVA PRESION TEMPERATURA / PRESSURE TEMPERATURE RATING



### VALORES DE Kv / Kv VALUES

Kv = Es la cantidad de metros cúbicos por hora que pasará a través de la válvula generando una pérdida de carga de 1 bar.

*Kv = Flow rate of water in cubic meter per hour that will generate a pressure drop of 1 bar across the valve.*

1/4"	3/8"	1/2"	3/4"	1"	1 ¼"	1 ½"	2"	2 ½"	3"
6	10	24	43	83	130	205	340	520	1100

ISO 9001:2015 Accredited Company

Tel: +44(0)1386 552369

Fax: +44(0)1386 554227

sales@allvalves.co.uk

www.allvalves.co.uk

Allvalves Online Ltd, Automation House, Unit 2, Pershore, WR10 2DF UK